



VICTORY(MONO)

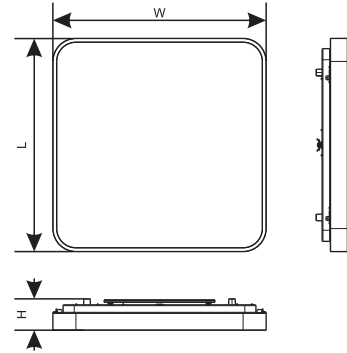
EXQUISITE WORKMANSHIP,
ONLY FOR WORRY-FREE LIGHTING.

Powered by

tuya[®]

Intelligence
Inside

VICTORY-MONO



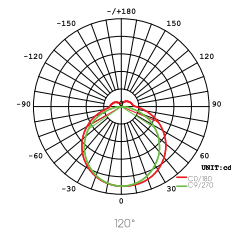
Parameters

Model	Power	LED Qty	Luminous Flux	Efficacy	Size
SH5252-L60W	60W	2835SMD/9V-1W/72LEDS	4500LM	80Lm/W	520*520*82mm
SH5050-L50W	50W	-	4000LM	80Lm/W	480*480*72mm
SH5230-L30W	36W	2835SMD/9V-1W/36LEDS	2300LM	80Lm/W	520*300*82mm
SH5219-L25W	30W	2835SMD/9V-1W/30LEDS	1900LM	80Lm/W	520*190*82mm
SH6838-L60W	60W	2835SMD/9V-1W/72LEDS	4500LM	80Lm/W	680*380*82mm
SH9019-L50W	50W	2835SMD/9V-1W/60LEDS	3800LM	80Lm/W	900*190*82mm
SH1200-L50W	50W	-	4000LM	80Lm/W	1200*160*80mm

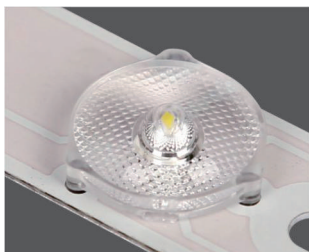
Input Voltage: AC180-240V
 Frequency: 50/60Hz
 Power Factors: ≥ 0.9
 Efficiency: 90%
 CCT: 6000 ~ 6500K
 CRI: Ra ≥ 80
 Beam Angle: 120°
 Frame Material: Aluminum 6063
 Base Material: Iron Q235
 Lampshade: PS
 Body Color: White
 Input Cable: 0.5mm²
 Installation: Mount
 Protection: IP20
 Environment: -20°C ~ 40°C
 Longevity: 20,000h

Packing

Model	Weight/PC	Qty/CTN	Inner Box Size	Master CTN
SY5252-L60W	3.2kg	3pcs	58*56*8.5cm	60*57*29cm
SH5050-L50W				
SY5230-L30W	1.9kg	6pcs	58.5*34*8.3cm	69.5*60*29cm
SY5219-L25W	1.4kg	6pcs	59.5*24.5*9cm	61*50.5*29cm
SY6838-L60W	3.0kg	3pcs	74.5*42*8.3cm	76*43.5*29cm
SY9019-L50W	2.2kg	3pcs	97.5*24.5*9cm	99*26*29cm
SH1200-L50W				



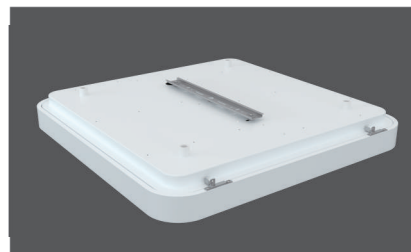
DETAILS



Optical diffuse lens, anti-glare



Clamp



Quick Installation Mount



VICTORY(DUAL)

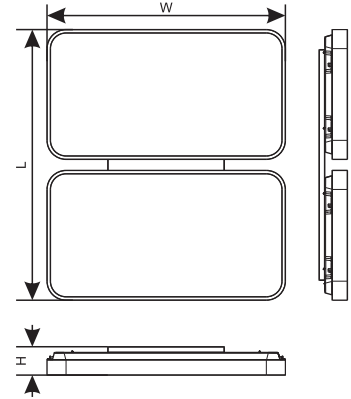
ELEGANT APPEARANCE, ILLUMINATING HOME,
WARM AND ROMANTIC.

Powered by

tuya

Intelligence
Inside

VICTORY-DUAL



Parameters

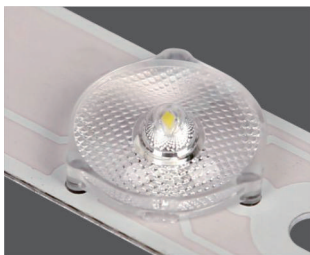
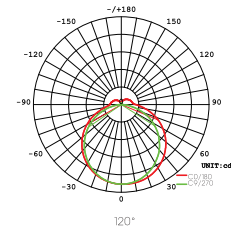
Model	Power	LED Qty	Luminous Flux	Efficacy	Size
SH6233-L120W	120W	2835SMD/9V-1W/168LEDS	9600LM	80Lm/W	711*626*74.5mm

Input Voltage: AC180-240V
 Frequency: 50/60Hz
 Power Factors: ≥ 0.9
 Efficiency: 90%
 CCT: 6000 ~ 6500K
 CRI: Ra ≥ 80
 Beam Angle: 120°
 Frame Material: Aluminum 6063
 Base Material: Iron Q235
 Lampshade: PS
 Body Color: White
 Input Cable: 0.5mm²
 Installation: Mount
 Protection: IP20
 Environment: -20°C ~ 40°C
 Longevity: 20,000h

Packing

Model	Weight/PC	Qty/CTN	Inner Box Size	Master CTN
SH6233-L120W	5kgs	1	-	75*67*9cm

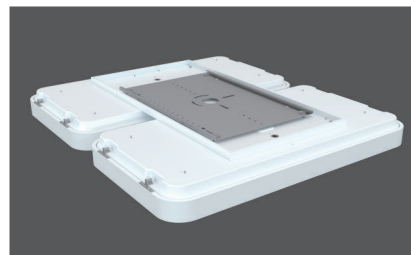
DETAILS



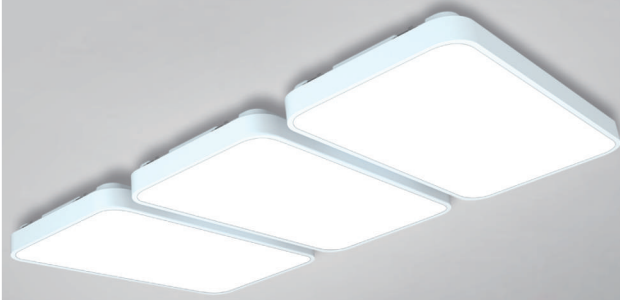
Optical diffuse lens, anti-glare



6063 Aluminum Body



Quick Installation Mount



VICTORY(TRIPLÉ)

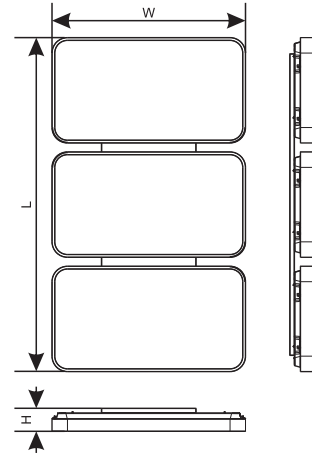
MATURITY AND STABILITY SHOW THE TEMPERAMENT OF A SUCCESSFUL PERSON.

Powered by



Intelligence
Inside

VICTORY-TRIPLE.



Parameters

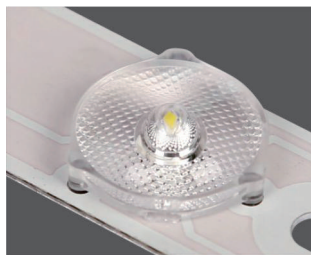
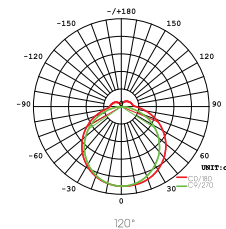
Model	Power	LED Qty	Luminous Flux	Efficacy	Size
SH6233-L180W	180W	2835SMD/9V-1W/252LEDS	14400LM	80Lm/W	1081*626*70mm

Input Voltage: AC180-240V
 Frequency: 50/60Hz
 Power Factors: ≥ 0.9
 Efficiency: 90%
 CCT: 6000 ~ 6500K
 CRI: Ra ≥ 80
 Beam Angle: 120°
 Frame Material: Aluminum 6063
 Base Material: Iron Q235
 Lampshade: PS
 Body Color: White
 Input Cable: 0.5mm²
 Installation: Mount
 Protection: IP20
 Environment: -20°C ~ 40°C
 Longevity: 20,000h

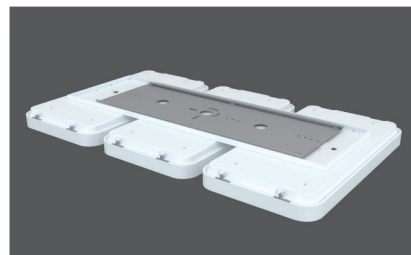
Packing

Model	Weight/PC	Qty/CTN	Inner Box Size	Master CTN
SH6233-L180W	7kgs	1	-	111*66*9cm

DETAILS



Optical diffuse lens, anti-glare



Quick Installation Mount